

## FEATURES

**DSI INDUSTRIES** has incorporated an extensive selection of products including private office, conference and storage furniture designed to allow a multitude of working and teaming applications. Sierra II excels in executive, management, clerical, reception, conference and meeting room environments. Also featured is an intelligent electrical and data wiring system for easy power and communications management.



## Sierra II

### 01/2009 Price List

#### Sierra II SPECIFICATIONS

Refer to MONTANA Series

#### EXCEPTION

- Box drawers operate on 3/4 extension roller slides.

#### Sierra II



1" (25mm) thick  
worksurface design.  
2mm Thick  
"Tough Guard" Edged.

#### Available Laminate Finishes:

**TOPS & BASES:**    **Chocolate Walnut (CW)**  
                              **Classic Mahogany (CM)**  
                              **Cherry Henna (CH)**  
                              **Cognac (CO)**  
                              **American Cherry (AC)**  
                              **Sahara (SA)**  
                              **Riviera Maple (RM)**  
                              **Willow Gray (WG)**

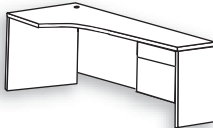
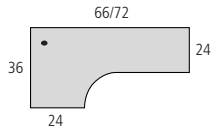
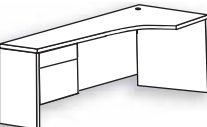
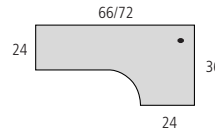
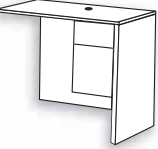
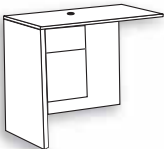
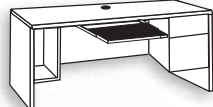

# sierra II

While every effort was made to ensure the accuracy of information contained in this price list at the time of publication, we cannot accept responsibility for inaccuracies resulting from printing errors or omissions. We reserve the right to make product improvements and price changes without notice. DSI Industries Inc., is a registered trademark. © Copyright 2008 Office Furniture Group. All Rights Reserved.

Trademarks of DSI Industries Inc. - these products may be covered by one or more issued Patents or Trademarks, or Patent Pending, or Trademark applications, in North America or Internationally.

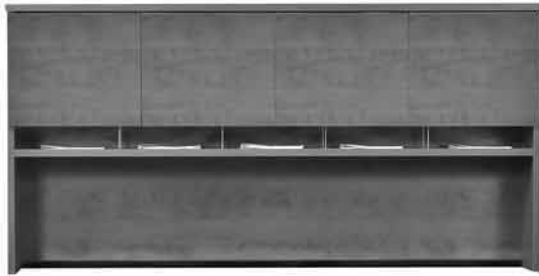


SRYLE	DESCRIPTION	SRDEL	PRICE	WIDTH (in/mm)	DEPTH (in/mm)	HEIGHT (in/mm)	VOLUME (ft <sup>3</sup> /m <sup>3</sup> )	WEIGHT (lbs/kg)
	Double Pedestal Desk 3/4 Back Panel	SR 7236 D/BF/BF	<b>772</b>	72	36	29	49	270
				1829	914	737	1.39	122
		SR 6630 D/BF/BF	<b>705</b>	66	30	29	37	230
				1676	762	737	1.05	104
		SR 6030 D/BF/BF	<b>606</b>	60	30	29	34	220
				1524	762	737	.96	98
	Single Pedestal Desk 3/4 Back Panel	SR 7236 R/BF	<b>672</b>	72	36	29	49	225
				1829	914	737	1.39	102
		SR 6630 R/BF	<b>628</b>	66	30	29	37	185
				1676	762	737	1.05	84
		SR 6030 R/BF	<b>527</b>	60	30	29	34	175
				1524	762	737	.96	79
	Single Pedestal Desk 3/4 Back Panel	SR 7236 L/BF	<b>672</b>	72	36	29	49	225
				1829	914	737	1.39	102
		SR 6630 L/BF	<b>628</b>	66	30	29	37	185
				1676	762	737	1.05	84
		SR 6030 L/BF	<b>527</b>	60	30	29	34	175
				1524	762	737	.96	79
	Double Pedestal Open Space in Center Credenza 3/4 Back Panel	SR 7220 D/BF/BF	<b>672</b>	72	20	29	28	200
				1829	508	737	.80	91
		SR 6620 D/BF/BF	<b>661</b>	66	20	29	25	190
				1676	508	737	.71	86
	Single Pedestal Credenza 3/4 Back Panel	SR 7220 R/BF	<b>583</b>	72	20	29	28	175
				1829	508	737	.80	79
		SR 6620 R/BF	<b>572</b>	66	20	29	25	165
				1676	508	737	.71	75
	Single Pedestal Credenza 3/4 Back Panel	SR 7220 L/BF	<b>583</b>	72	20	29	28	175
				1829	508	737	.80	79
		SR 6620 L/BF	<b>572</b>	66	20	29	25	165
				1676	508	737	.71	75

SRYLE	DESCRIPTION	SRDEL	PRICE	WIDTH (in/mm)	DEPTH (in/mm)	HEIGHT (in/mm)	VOLUME (ft <sup>3</sup> /m <sup>3</sup> )	WEIGHT (lbs/kg)
	Radius Shape Extended Corner Unit with Grommet 3/4 Back Panel	SR 723624 R/BF/ECC	<b>839</b>	72 1829	36 914	29 737	49 1.39	217 98
		SR 663624 R/BF/ECC	<b>828</b>	66 1676	36 914	29 737	44 1.24	207 94
								
<b>Connects to 24in/610mm Units</b>								
	Radius Shape Extended Corner Unit with Grommet 3/4 Back Panel	SR 723624 L/BF/ECC	<b>839</b>	72 1829	36 914	29 737	49 1.39	217 98
		SR 663624 L/BF/ECC	<b>828</b>	66 1676	36 914	29 737	44 1.24	207 94
								
<b>Connects to 24in/610mm Units</b>								
	Flush Height Return with Grommet	SR 4824 RR/BF	<b>452</b>	48 1219	24 610	29 737	22 .62	135 61
		SR 4224 RR/BF	<b>441</b>	42 1067	24 914	29 737	19 .54	125 57
		SR 3624 RR/BF	<b>430</b>	36 914	24 914	29 737	17 .48	115 52
		SR 4220 RR/BF	<b>430</b>	42 1067	20 508	29 737	15 .42	115 52
	Flush Height Return with Grommet	SR 4824 LR/BF	<b>452</b>	48 1219	24 610	29 737	22 .62	135 61
		SR 4224 LR/BF	<b>441</b>	42 1067	24 914	29 737	19 .54	125 57
		SR 3624 LR/BF	<b>430</b>	36 914	24 914	29 737	17 .48	115 52
		SR 4220 LR/BF	<b>430</b>	42 1067	20 508	29 737	15 .42	115 52
	CPU Desk with Box and File Pedestal with 28in/711mm wide Keyboard with Grommet	SR 6030 R/BF/CPU/KB28	<b>606</b>	60 1524	30 762	29 737	34 .96	150 68
	Hutch with one fixed shelf Back Panel with full width wire access	SR 721537 HT/SH	<b>399</b>	72 1829	15 381	37 940	11 .31	100 45
		SR 661537 HT/SH	<b>389</b>	66 1676	15 508	37 737	10 .28	90 41
		SR 601537 HT/SH	<b>379</b>	60 1524	15 508	37 737	9 .25	80 36
<b>RTA - Shipped Ready To Assemble</b>								



Expand your Sierra Series Office



Unlimited Add-Ons



Montana Series



Companion Units

